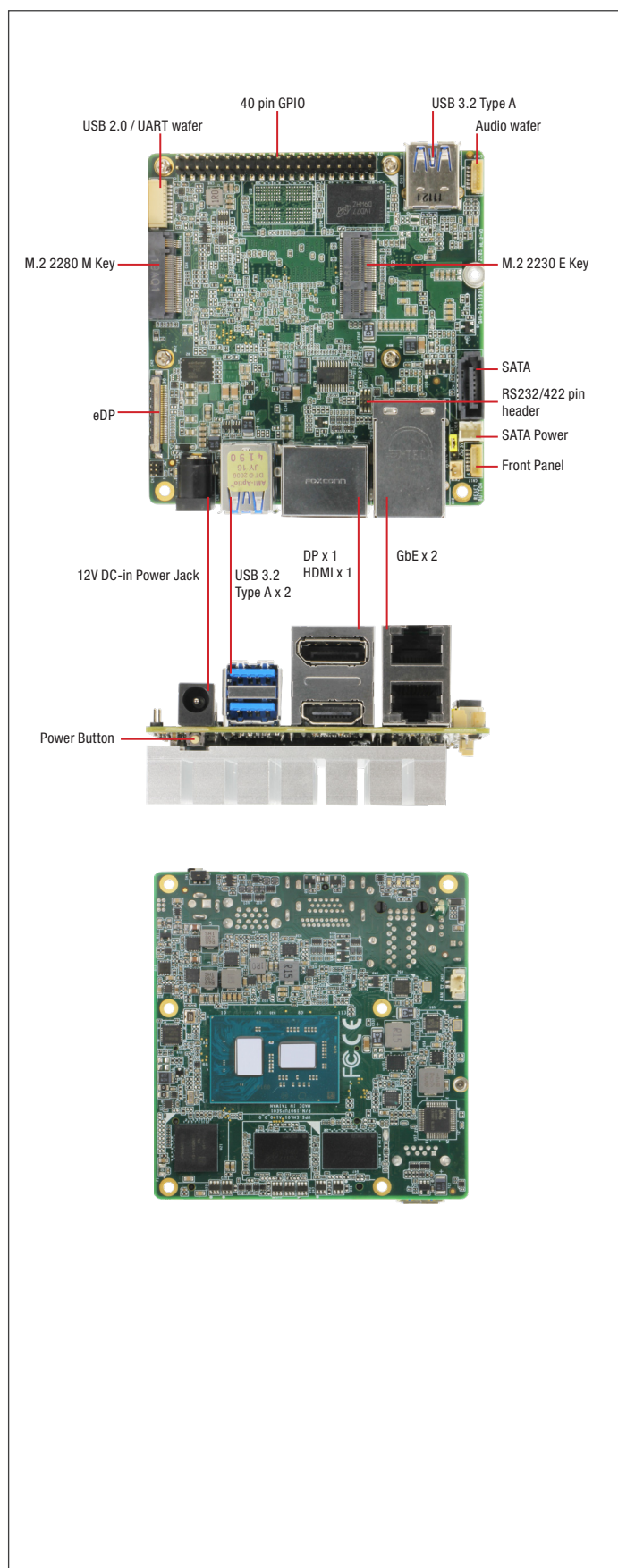


# UP Squared V2

UP Squared V2 Developer Board with Intel® Pentium® Celeron® Processor SoC



## Features

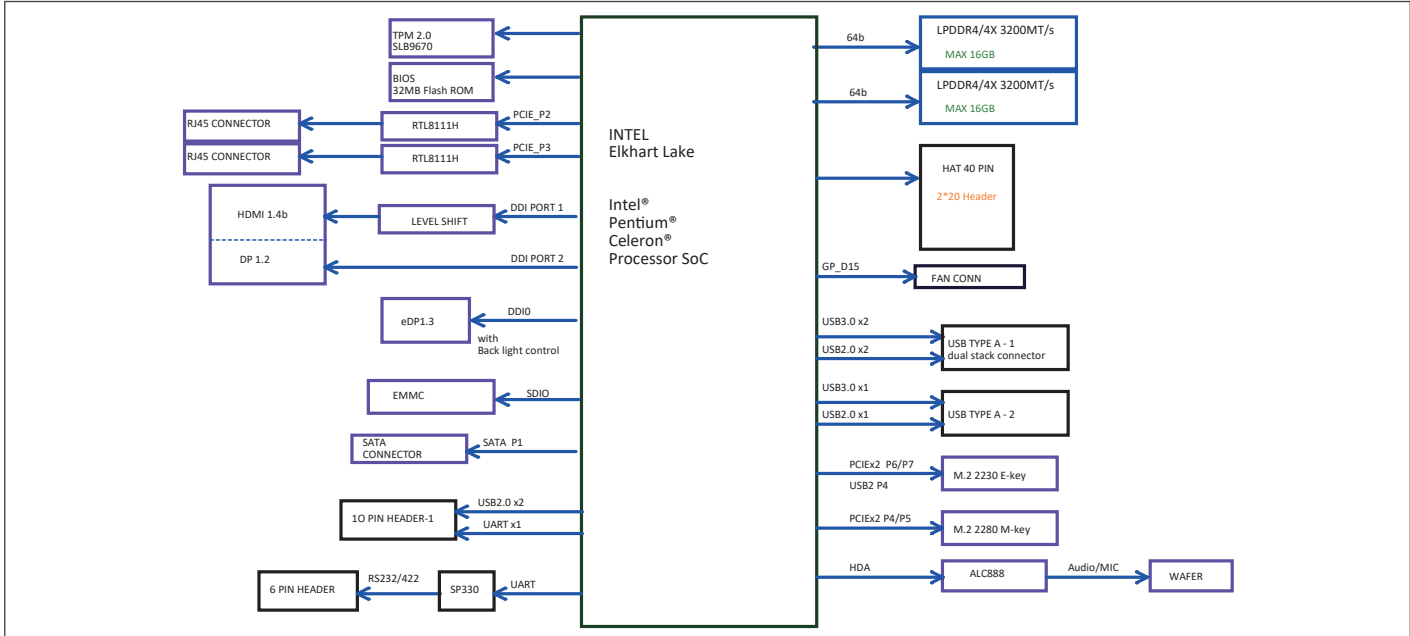
- Intel® Pentium® Celeron® Processor SoC
- Onboard LPDDR4 Memory up to 16GB
- Onboard eMMC Storage up to 64GB
- Gb Ethernet (full speed) RJ-45 x 2
- USB 3.2 Type A x 3
- 40 pin GPIO x 1
- DP 1.2 / HDMI 1.4b / eDP 1.3
- RS232/422 pin header x 1
- M.2 2230 E-Key x 1
- M.2 2280 M-Key x 1
- SATA3 x 1
- TPM 2.0
- 12V DC-in, 5A



## Specifications

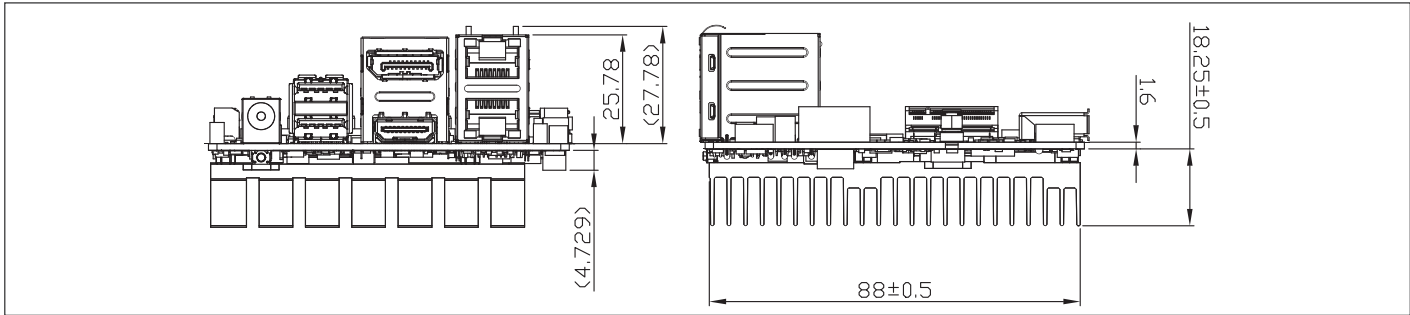
System	
Processor	Intel® Celeron® N6210 Pentium® J6426 Processor SoC
Graphics	Intel® UHD Graphics
Memory	Up to 16GB LPDDR4
Storage	Up to 64GB eMMC
I/O	HDMI 1.4b x 1 DP 1.2 x 1 eDP 1.3 x 1 Audio 6 pin wafer (Line out + MIC in) x 1 RS-232/422 6 pin header x 1
Camera	—
USB	USB 2.0 x 2 (from 10 pin wafer x 1) USB 3.2 Gen 2 Type A x 3
Expansion	40 pin GPIO x 1 M.2 2230 E-Key x 1 (PCIe x2, USB2.0 x1) M.2 2280 M-key x 1 (PCIe x2) SATA3 x 1
Display Interface	HDMI 1.4b x 1 DP 1.2 x 1 eDP 1.3 x 1
Ethernet	Gb Ethernet (full speed) RJ-45 x 2
Security	Onboard TPM 2.0
RTC	Yes
OS Support	Microsoft Windows 10 (full) Windows IOT Core Ubuntu 20.04 LTS Yocto 3.1
Power Requirement	
Power	12V DC-in, 5A
Power Supply Type	AT/ATX
Power Consumption (Typical)	30~38W
Mechanical	
Dimension	3.37" x 3.54" (85.6 mm x 90 mm)
Net Weight	0.41 lbs (0.19kg)
Gross Weight	0.66 lbs (0.3kg)
Environment	
Operating Temperature	32°F ~ 140°F (0°C ~ 60°) / 0.5 airflow
Operation Humidity	0% ~ 90% relative humidity, non-condensing
MTBF	465,586
Certification	CE/FCC Class A, RoHS Compliant, REACH

## Block Diagram



## Dimension

Unit: mm



## Ordering Information

Part number	CPU	Memory	Storage
UPS-EHLCN2-A10-0232	N6210	2GB	32GB
UPS-EHLCN2-A10-0432	N6210	4GB	32GB
UPS-EHLCJ4-A10-0432	J6412	4GB	32GB
UPS-EHLPJ4-A10-0432	J6426	4GB	32GB
UPS-EHLPJ4-A10-0864	J6426	8GB	64GB
UPS-EHLPJ4-A10-1664	J6426	16GB	64GB

## Optional Accessories

Part Number	Description
125530060L	12V.5A.60W Power Adapter w/ multi-country plugs
1709070500	SATA cable
1702150155	SATA power cable(15cm)
1702150306	SATA power cable(30cm)
170010015G	UART to USB cable
9651926001	M.2 2230 WiFi Kit.802.11ac.2.4G/5G,W/BT w/2 cable & antenna
9741364A00	Wireless LAN Kit M.2 2230 802.11ac/a/b/g/n + BT4.0,2T2R,with 2 sets of cable & antenna
170X000382	Audio cable for audio wafer
170X000556	COM cable for RS232 wafer

## Packing List

- UP Squared V2 with heatsink